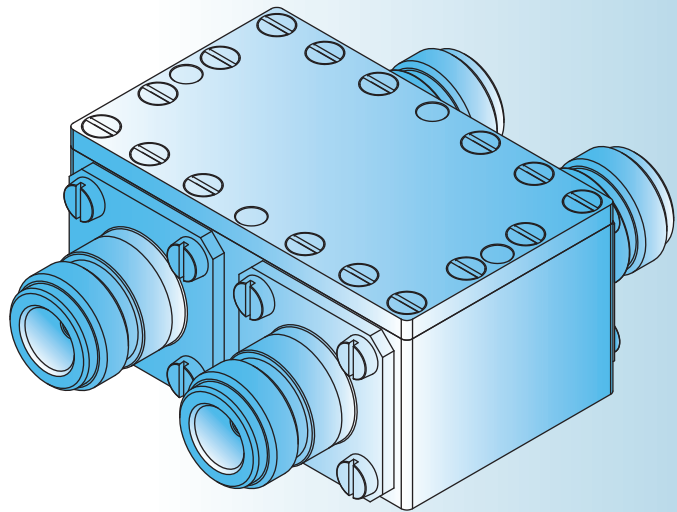
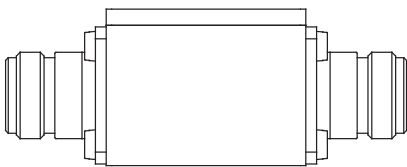
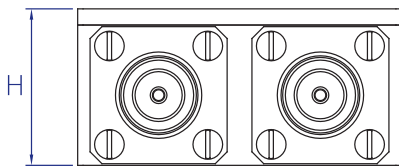
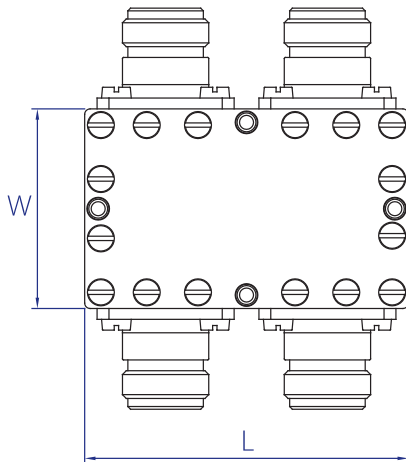


# Hybrid couplers

3dB 90° single and three section hybrid couplers for use in applications such as power distribution, balanced amplifiers and power couplers/dividers. All devices offer an input match typically better than 20dB.



## SPECIFICATIONS

Part Number	Frequency Band	Amplitude Balance	Insertion Loss	Phase Balance	Maximum Power	Dimensions (mm) L x W x H
-------------	----------------	-------------------	----------------	---------------	---------------	------------------------------

### SINGLE SECTION HYBRIDS ALL SMA CONNECTORISED

HY380-600	380MHz to 600MHz	±0.15dB	0.2dB	±1°	100W	103 x 14 x 15
HY750-1200	750MHz to 1200MHz	±0.15dB	0.2dB	±1°	100W	60 x 14 x 15
HY1500-2400	1500MHz to 2400MHz	±0.15dB	0.2dB	±1°	100W	38 x 14 x 15
HY2250-3600	2250MHz to 3600MHz	±0.15dB	0.2dB	±1°	100W	30 x 14 x 15
HY2000-4000	2GHz to 4GHz	±0.4dB	0.25dB	±1°	100W	30 x 14 x 15
HY4000-8000	4GHz to 8GHz	±0.4dB	0.3dB	±1°	100W	26 x 14 x 15

### 3 SECTION HYBRIDS ALL SMA CONNECTORISED

HY800-2200	800MHz to 2200MHz	±0.1dB	0.25dB	±1°	100W	110 x 21 x 15
HY2000-6000	2GHz to 6GHz	±0.3dB	0.3dB	±1°	100W	59 x 21 x 15

### N-TYPE HYBRIDS

HY1800-2000N	1800MHz to 2000MHz	±0.1dB	0.15dB	±1°	500W	60 x 37 x 29
HY2000-2200N	2000MHz to 2200MHz	±0.1dB	0.15dB	±1°	500W	60 x 37 x 29

design  
assembly  
manufacturing  
testing

Labtech Microwave  
8 Vincent Avenue  
Crownhill  
Milton Keynes  
MK8 0AB  
UK

Tel: +44 (0)1908 261755  
Fax: +44 (0)1908 261788

www.labtechmicrowave.com  
sales@labtech.ltd.uk